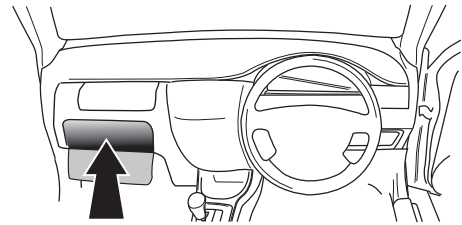


! INFO !

Do not charge the battery of the towing vehicle and/or towed vehicle directly via the socket.



User guide



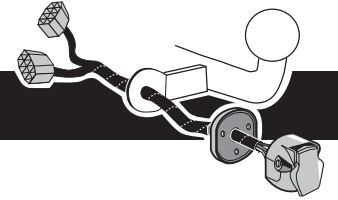
SPARE PARTS

www.ukts@ecs-electronics.com

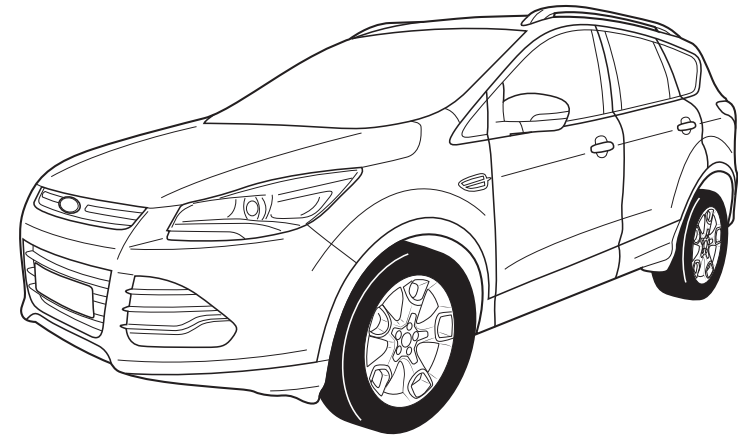


Partnr.: FR-066-D1U

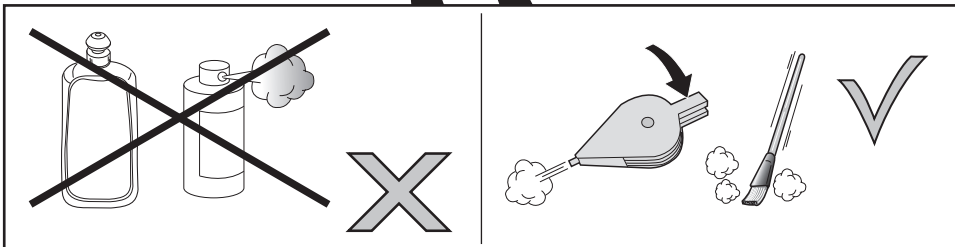
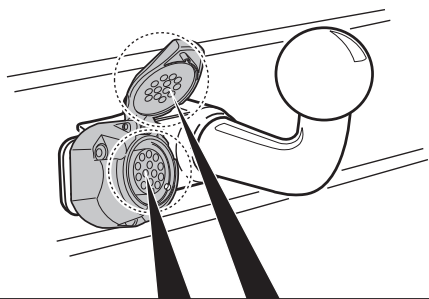
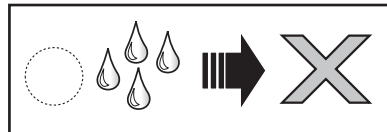
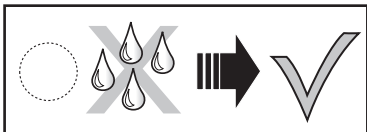
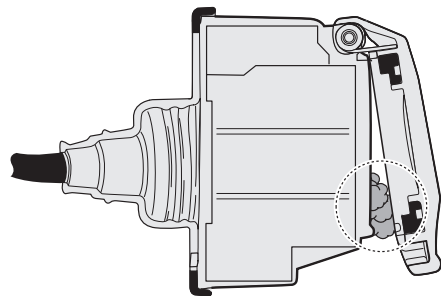
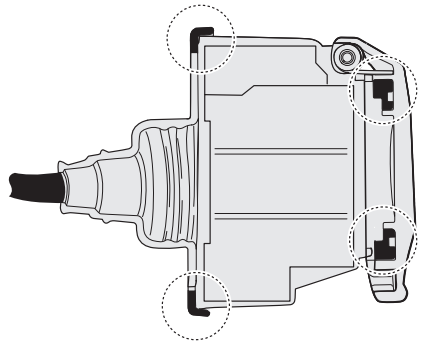
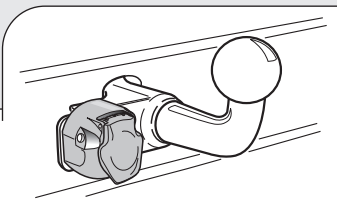
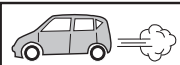
User Guide



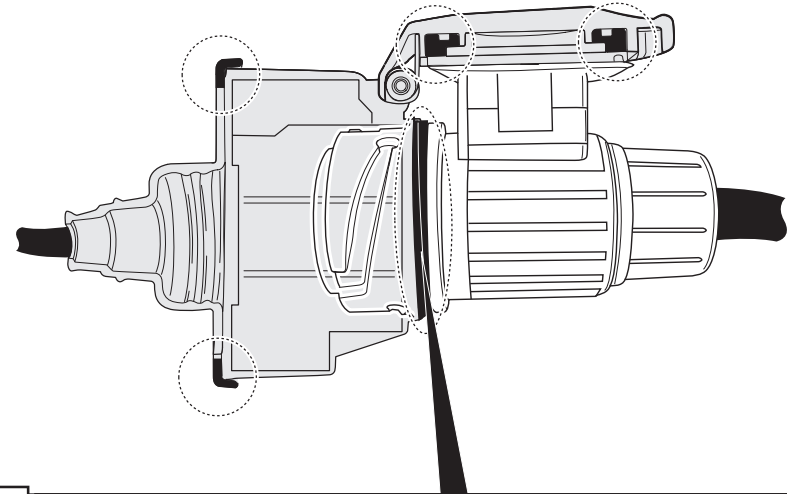
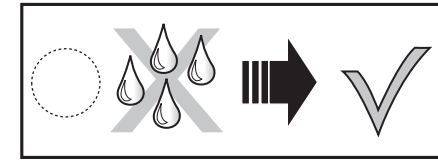
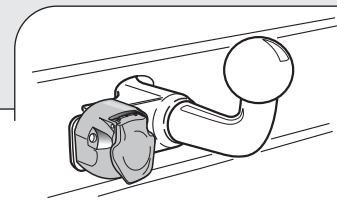
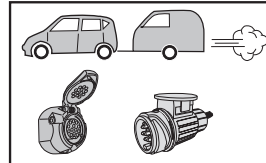
Ford Kuga II 03/2013 >> 01/2020



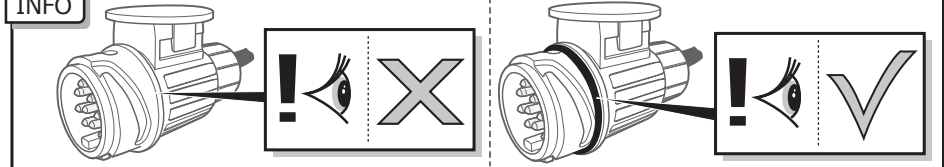
INFO



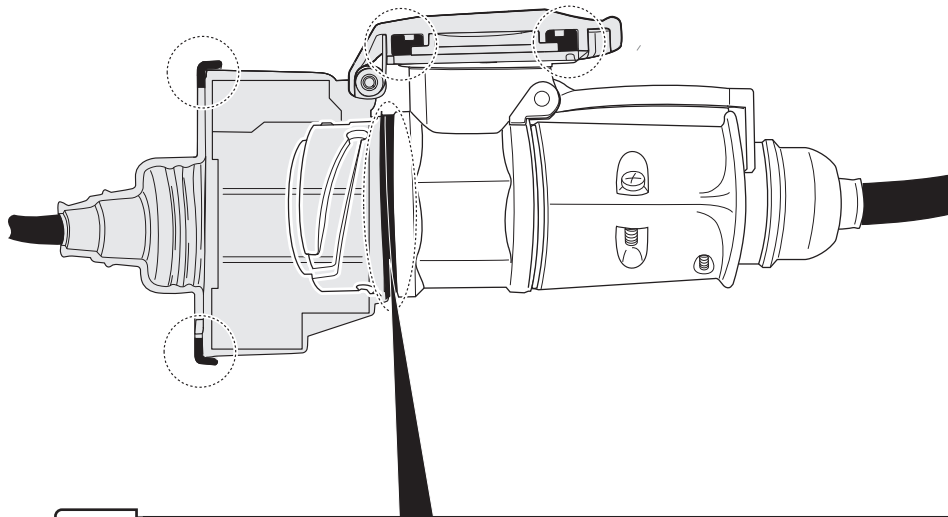
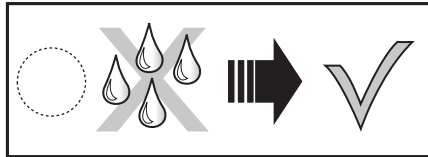
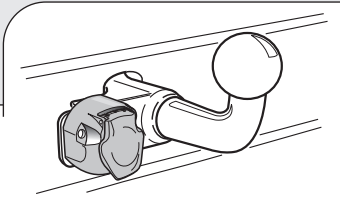
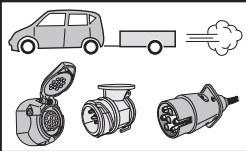
INFO : Ring.



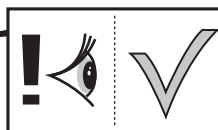
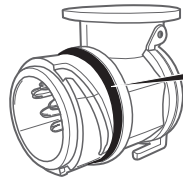
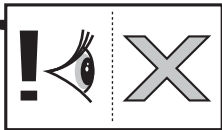
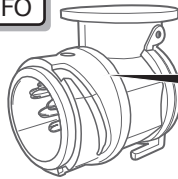
INFO



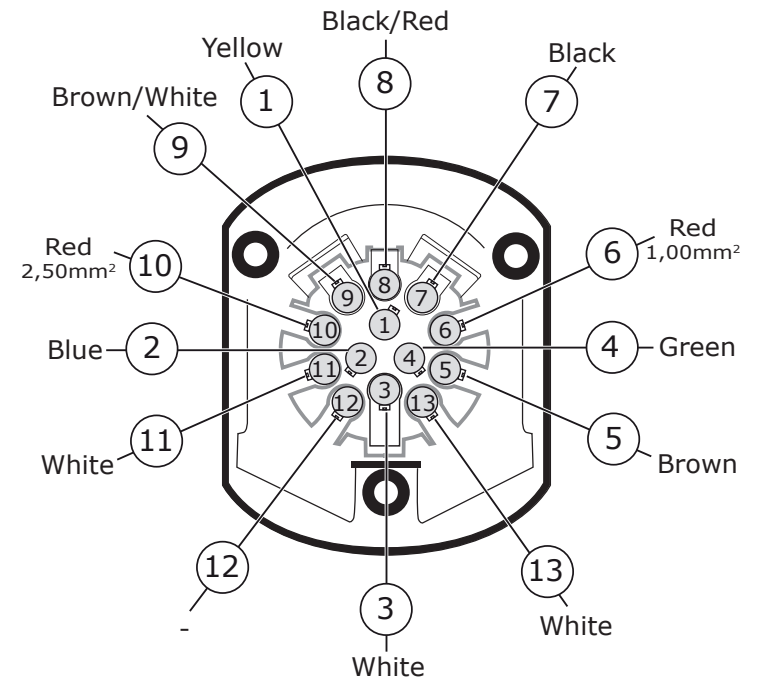
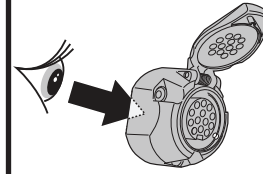
INFO : Adapt.



INFO



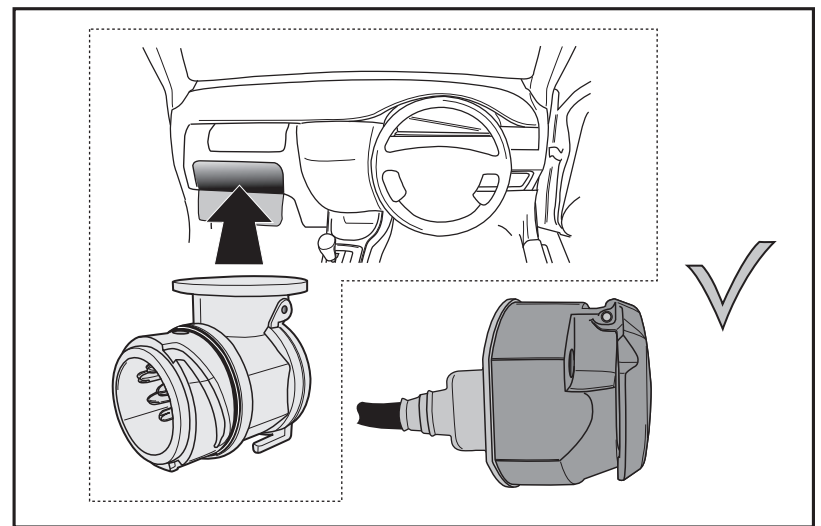
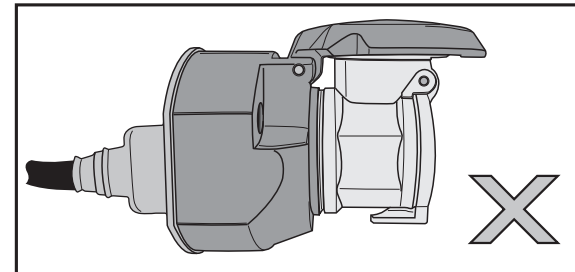
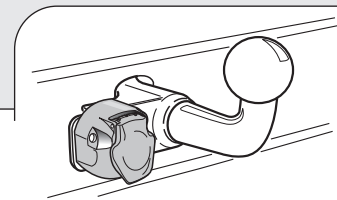
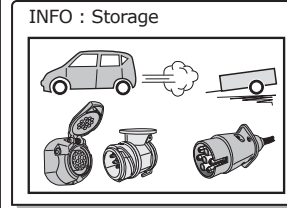
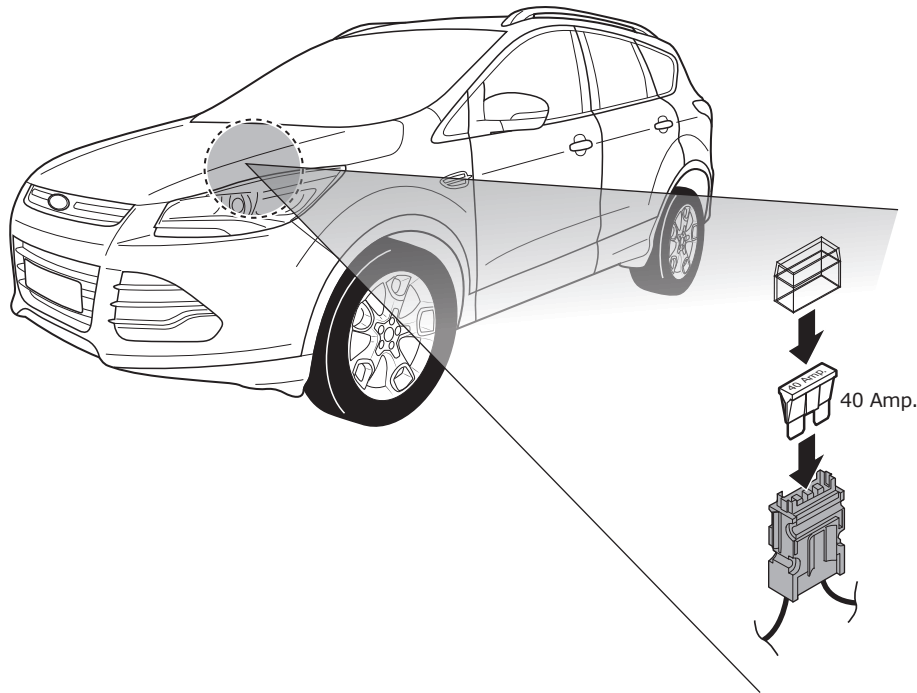
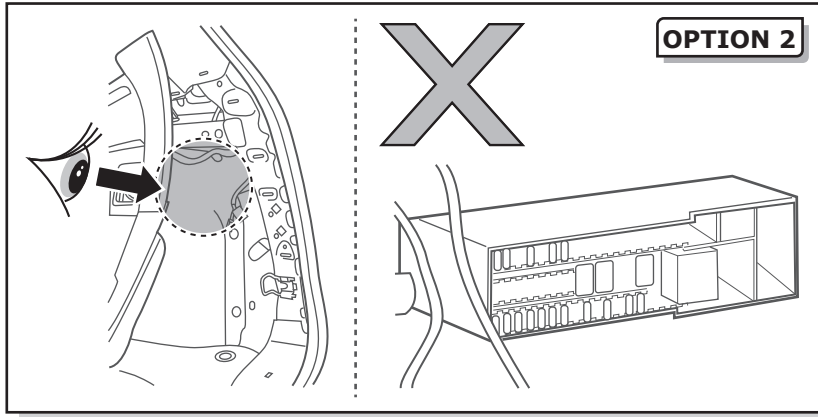
SOCKET CONNECTION



SOCKET CONNECTION

DIN/ISO 11446	↔	⚡	⚡ 1-8	↔	☀️	STOP	☀️	Reverse	30V	15V	⚡ 10	—	⚡ 9
	1/L	2	3/31	4/R	5/58-R	6/54	7/58-L	8	9	10	11	12	13
Pmax	21W	21W	21W	42W	42W	3x21W	42W	21W	180W/15Amp	180W/15Amp			
Colour	Yellow	Blue	White	Green	Brown	Red 1,00 mm ²	Black	Black/ Red	Brown/ White	Red 2,50 mm ²	White	-	White

CHANGING THE FUSE

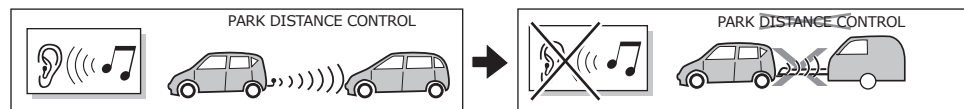




In a coupled trailer with working fog lamp, the fog lamp of the vehicle will be switched off, if applicable.



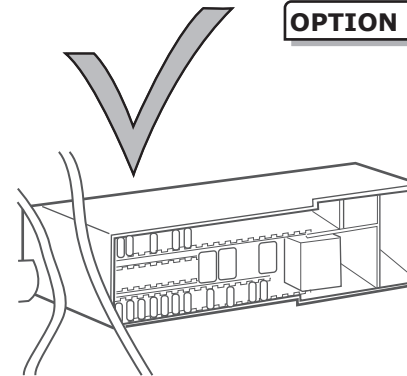
The flashing lights on the trailer are monitored. If one of the indicators of the trailer breaks down, a buzzer will be audible and/or a visual signal will be visible on the dashboard. Check the flashing lights on the trailer.



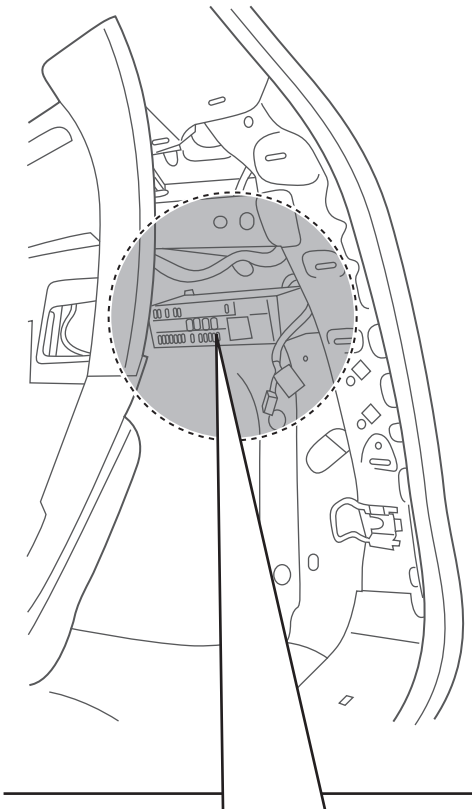
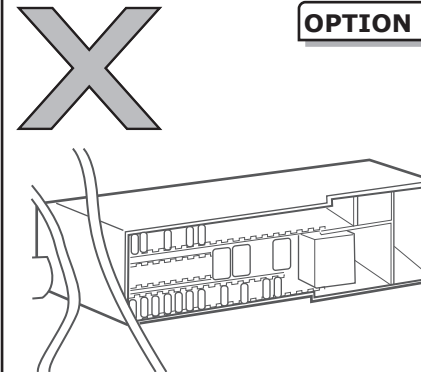
The wiring kit has a possibility to switch off any Park Distance Control in the case of a coupled trailer.

CHANGING THE FUSE

OPTION 1



OPTION 2



15 Amp. minifuse
20 Amp. minifuse

